



FLAT PANEL TELEVISION LIFT

PRODUCT FEATURES:

- LIFTS PLASMA TV'S AT 1.25" INCHES PER SECOND
- DESIGNED TO FIT UNITS UP TO 60" WIDE (150 LBS)
- DRAWS LESS THAN THREE AMPS POWER
- SHIPS IN A KNOCK DOWN PACK WITH MINIMAL PRODUCTION ASSEMBLY
- "SLIDE IN REAR PANEL" OR "DROP DOWN" INSTALLATION
- "IMPULSE DRIVE" FOR SOFT STARTS AND STOPS
- CUSTOM "ANTI-COLLISION" SOFTWARE
- IR REMOTE AND PUSH BUTTON CONTROL
- UNIVERSAL TV MOUNTING HARDWARE
- INTEGRAL WIRE LID LIFTER OR CABINET TOP MOUNT BRACKET



Plasma Lift

Distributor Net



(A)

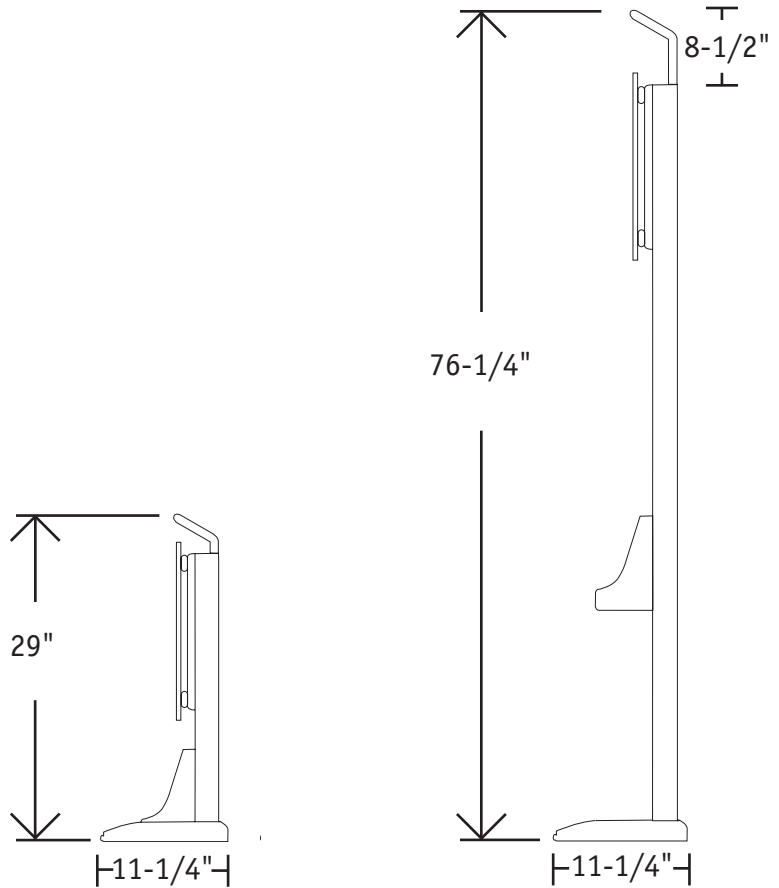
Shipping Weight 87 LBS
 Carton Size 43.7 x 26.5 x 14.6
 Foot Print 40-1/4" X 11-1/4"
 Master carton contains:
 Plasma lift unit (A)
 1 box of controls & lid lifter (B)
 1 box of TV mounting hardware (C).
 Non-UPS shipments only, two per skid.



(B)



(C)



KV2100 - 0206